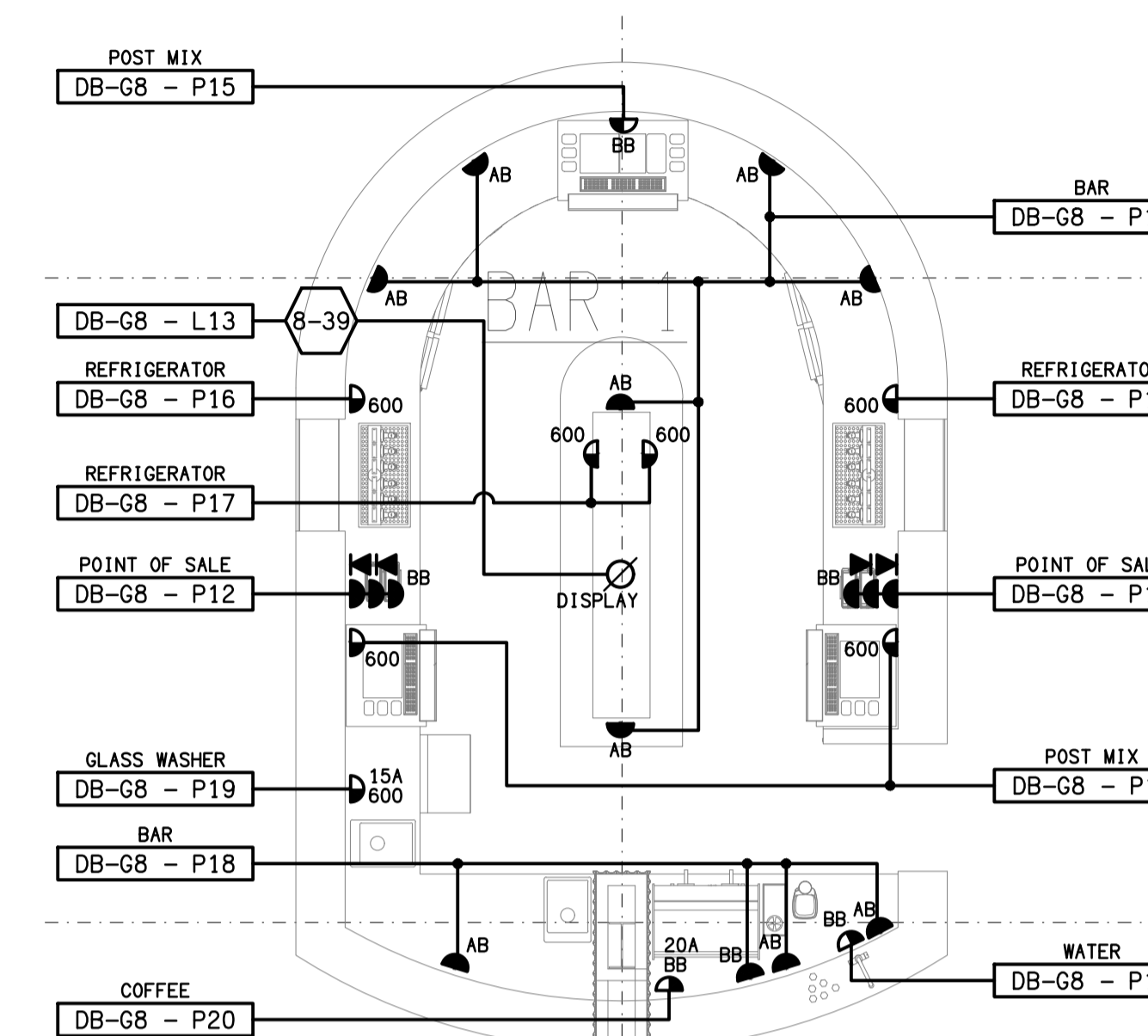


**ELECTRICAL SERVICES  
WITHIN THIS DASH LINED  
AREA ARE TO BE REMOVED**



**DETAIL A**  
BISTRO BAR FLOOR PLAN  
SCALE 1:50

E	TENDER	14/10/2024
REV:	DESCRIPTION:	DATE:

**ELECTRICAL DESIGN GROUP**  
ELECTRICAL BUILDING SERVICES CONSULTANTS

BRISBANE: P.O. Box 15 Sherwood Qld 4075  
Phone: (07) 3278 4375  
Email: brisbane@edg.net.au  
Web: www.edg.net.au

ELECTRICAL DESIGN GROUP BRISBANE PTY LTD  
ACN 092 710 793

TRADING AS:  
ELECTRICAL DESIGN  
GROUP

PROJECT:  
**SUNNYBANK COMMUNITY  
SPORTS CLUB**

SITE ADDRESS:  
470 McCULLOUGH STREET  
SUNNYBANK

SCALE: 1:100 UNO SHEET SIZE: AT A1

DRAWING TITLE:  
**ELECTRICAL SERVICES  
BISTRO & BAR  
FLOOR PLAN**

PROJECT NO. DRAWING NO. REVISION:

**C3179a E05 E**

